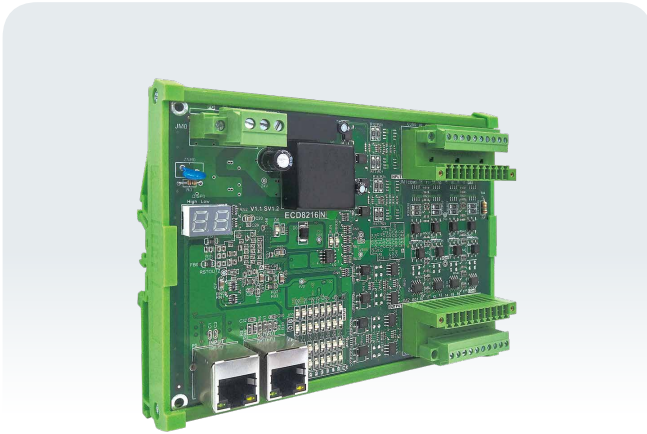


# ESI-100

EtherCAT DIO Module with 2 LAN, 16 Isolated Input, 16 Isolated Output, 0°C to 70°C



## Features

- Compatible with all Vecow product series
- EtherCAT compliant slave module
- Bi-directional photo-coupler input with multiple input configuration
- Digital I/P as counter input
- Photo isolated NMOS output
- EtherCAT distributed clock (DC) function enabled
- No extra real-time master stack software required
- Easy to program as if traditional add-on card

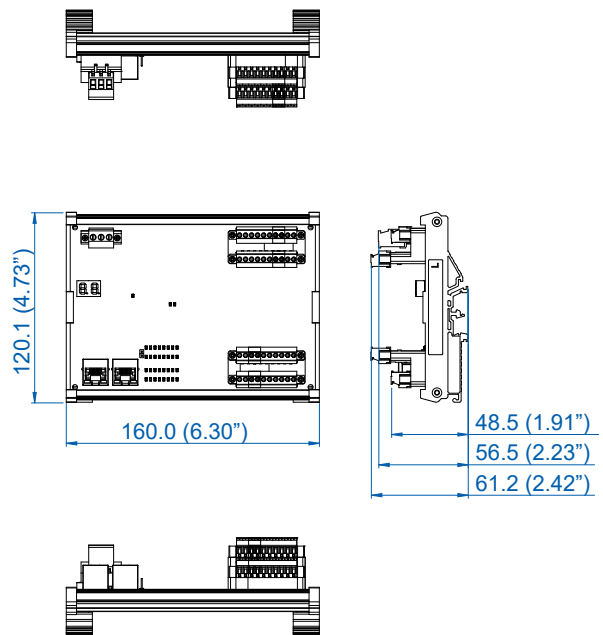


## Specifications

I/O Interface	
Digital I/O	<ul style="list-style-type: none"> <li>▪ 16 Isolated Input</li> <li>▪ 16 Isolated Output</li> </ul>
LAN	2 RJ45 Connector
Power	
Input	DC-in 18-36V
Mechanical	
Dimensions (W x L x H)	160.0mm x 120.1mm x 61.2mm (6.30" x 4.73" x 2.42")
Weight	248g
Environment	
Connector	0°C to 70°C (32°F to 158°F)
Storage Temperature	-20°C to 85°C (-40°F to 185°F)
Humidity	5% to 95% Humidity, non-condensing
Relative Humidity	95% @85°C
EMC	CE, FCC

## Dimensions

Unit : mm/ inch



## Order Information

ESI-100	EtherCAT DIO Module with 2 LAN
---------	--------------------------------

### Accessories

PWS-36W	110/220V AC to 24V DC @1.5A Power Supply
PWA-18W	110/220V AC to 24V DC @0.75A Power Adapter